

CJUV

VERTICAL, CENTRIFUGAL, MULTI-STAGE PUMPS



APPLICATION

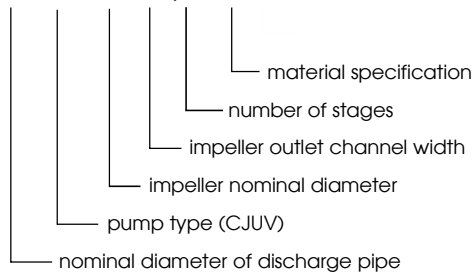
- auxiliary pumping stations in the heat plants
- for pumping in the heating plants
- industrial operations
- power plants for pumping condensate from the steam turbine to the feed tank

WORKING CONDITIONS

- for pumping hot water and condensate
- medium temperature up to +180°C
- pH > 6

TYPE IDENTIFICATION

100-CJUV-255-13 / 2 - DU



MATERIAL SPECIFICATION

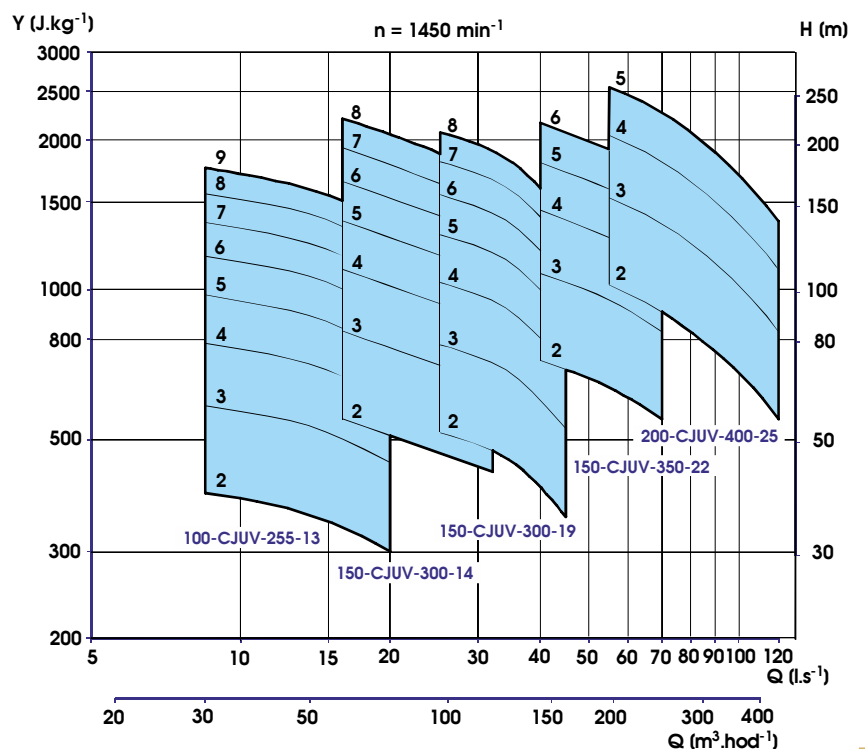
Part name	DU
suction body	1.0570
impeller body	1.0625
discharge body	1.0570
transducer	X20Cr14 (DIN)
diffuser	X20Cr14 (DIN)
impeller	X20Cr14 (DIN)
seal ring	3346-HM
shaft	1.0503
tightening bolt	1.5122
wet pipe	1.0570

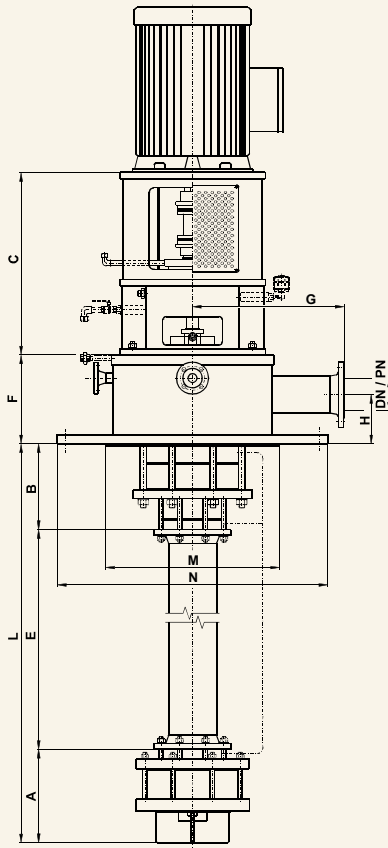


CJUV

WORKING AREA

PUMP SIZE	SHAFT SPEED (r.p.m.)	FLOW Q (l/s)	DELIVERY HEAD H (m)	TEMPERATURE MAX. (°C)
100-CJUV-255-13/2 ÷ 9	1450	13,9	up to 180	180
150-CJUV-300-14/2 ÷ 8	1450	22,2	up to 220	180
150-CJUV-300-19/2 ÷ 8	1450	34,7	up to 210	180
150-CJUV-350-22/2 ÷ 6	1450	55,6	up to 210	180
200-CJUV-400-22/2 ÷ 5	1450	87,5	up to 220	180
250-CJUV-500-50/1 ÷ 2	990	140	up to 60	180



CJUV

BASIC DIMENSIONS

Size	Number of stages	Dischar. Pipe DN/PN	Pump Dimensions										
			A	B	C	E	F	H	L	M	N		
100-CJU-255-13	2	100/40	400		Length depending on motor type and flexible coupling design	Length of rising element according to particular case							
	3	100/40	400										
	4	100/40	400										
	5	100/40	400										
	6	100/40	400										
	7	100/40	400										
	8	100/40	400										
	9	100/40	400										
150-CJU-300-14	2	150/40	415	150				690	225			760	1230
	3	150/40	415	260				690	225			760	1230
	4	150/40	415	370				690	225			760	1230
	5	150/40	415	480				690	225			760	1230
	6	150/40	415	590				690	225			760	1230
	7	150/40	415	700				690	225			760	1230
	8	150/40	415	810				690	225			760	1230
	9	150/40	415	920				690	225			760	1230
150-CJU-300-19	2	150/40	425	150		690	225			760	1230		
	3	150/40	425	270		690	225			760	1230		
	4	150/40	425	390		690	225			760	1230		
	5	150/40	425	510		690	225			760	1230		
	6	150/40	425	630		690	225			760	1230		
	7	150/40	425	750		690	225			760	1230		
	8	150/40	425	870		690	225			760	1230		
	9	150/40	425	990		690	225			760	1230		
150-CJU-350-22	2	150/40	460										
	3	150/40	460										
	4	150/40	460										
	5	150/40	460										
	6	150/40	460										
	7	150/40	460										
200-CJU-400-25	2	200/40	480										
	3	200/40	480										
	4	200/40	480										
	5	200/40	480										
	6	200/40	480										

Other dimensions on request.

SEAL DESIGN

- shaft sealed to prevent leakage on both suction and discharge ends using a packing
 - non-flooded packing
 - flooded from foreign source
- types of seals
 - single mechanical seal, cartridge type
 - double mechanical seal, cartridge type

MOTORS

- flange-mounted electric motor drive
- driving force transmitted using a flexible coupling
 - flexible coupling without a spacer
 - flexible coupling with a spacer

CROSS-SECTION DRAWING
